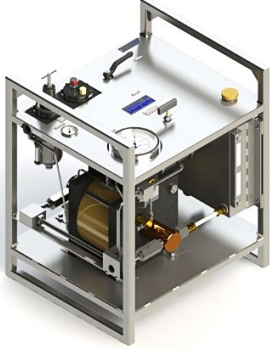


## TECHNICAL DATA SHEET

PRODUCT	<b>HPU-DA118/4.1-N*-L**/options</b>	
SERIES	<b>HPU-DA Double Acting</b> Air operated, high flow, double acting hydraulic pumps for pressure testing, chemical injection and hydraulic power.	

### FEATURES

- Infinitely variable output pressure and flow
- Holds static pressure without generating heat or consuming power
- Standard models are suitable for oil or water applications
- Well proven and trouble-free operation
- Designed for ease of maintenance
- Low cost servicing
- Robust construction

### PERFORMANCE DATA

Max Rated Output Pressure	11,854psi (818bar)
Output Per Cycle	4.5 in <sup>3</sup> (74cc)
Max Flow	634 in <sup>3</sup> /min (10 litre/min)
Max Air Supply Pressure	100psi (7bar)
Ratio	118 : 1
Air Consumption	120 scfm (3,400 NI/min)
Tank Capacity	5 Gallons (23 litres)

### SEAL OPTIONS (N\*)

N* (standard)	Nitrile (Buna-N) Main Seal and Check Valve Seals
V	Viton (FKM) Main Seal and Check Valve Seals
C	Chemraz (FFKM) Main Seal and Check Valve Seals

### CONSTRUCTION

Frame and Tank	Stainless Steel
Air Motor	Anodised Aluminium / Nitrile (Buna-N) Seals
Hydraulic Cylinder	Aluminium Bronze
Piston	Stainless Steel + Corrosion Resistant Chrome Finish
Outlet Port	Stainless Steel
L1** (standard)	Brass / Copper Hydraulic Inlet, Air Inlet and Plated Steel Silencer
L2** (optional)	Stainless Steel Hydraulic Inlet, Air Inlet and Silencer

### CONNECTIONS

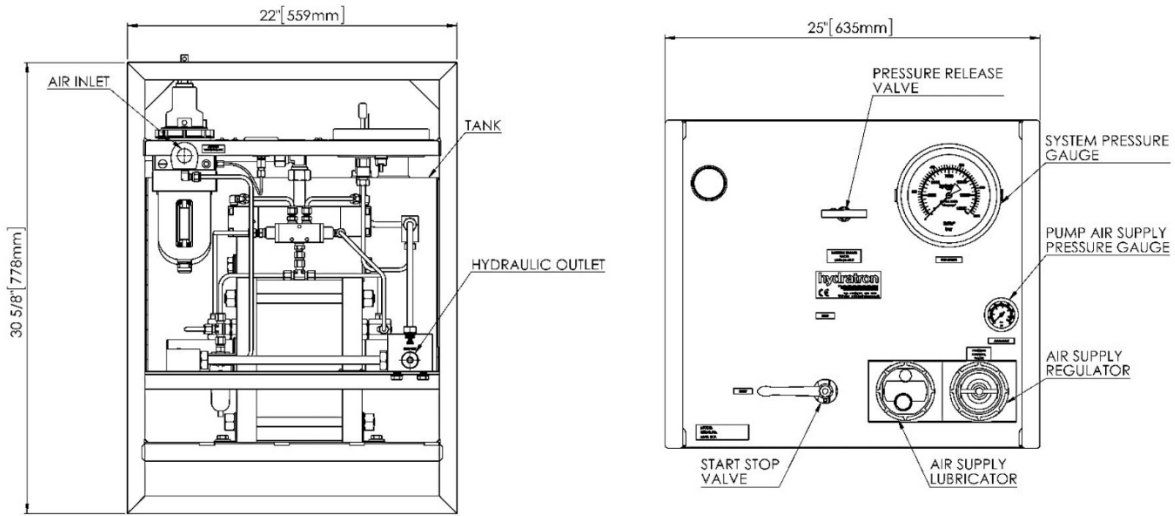
Hydraulic Outlet	3/8" MP(F)
Air Inlet	3/4" BSPP(F)
Net Weight	90kg (198lb)

### COMMON OPTIONS (BUT NOT LIMITED TO)

/ A	ATEX (94/9/EC) II 2GD c T5
/ F	Panel mount digital stroke counter (non ATEX)
/ G	Panel mount pneumatic stroke counter
/ I (over all dimension varies)	Isolation valve
/ M	Mild steel painted frame (Painted Blue) + Stainless steel tank (if applicable to the unit)
/ O (over all dimension varies)	Single pen chart recorder complete with recorder isolation valve
/ Q (over all dimension varies)	No tank-direct fluid inlet via Y type stainless steel strainer
/ R	Relief valve
/ T (over all dimension varies)	Tank bypass
/ V	No tank-direct hydraulic inlet via Y type brass strainer
/ W	Fitted with wheels
/ X	Gauge protection guard

**GENERAL LAYOUT DRAWING**

Model: **HPU-DA118/4.1**



**HYDRAULIC PRESSURE STATIC / STALL CONDITIONS**

AIR PRESSURE	HYDRAULIC PRESSURE
20psi (1.4bar)	2,370psi (163bar)
40psi (2.8bar)	4,740psi (327bar)
60psi (4bar)	7,110psi (490bar)
80psi (5.5bar)	9,480psi (654bar)
100psi (7bar)	11,854psi (818bar)

**FLOW CURVE**

**DA118 - Ratio 118:1**

